

Wózek narzędziowy z wyposażeniem

Model: 7-Szuflad – 227 sztuk narzędzi

W/7-Drawer Tool Trolley - 227PCS Contents

1st DRAWER



GAAT0702	GAAT1802	GAAT1205	GAAT0802
----------	----------	----------	----------

2ND DRAWER



GBAT0303	GBAT0402	GBAT0401	GAAT0805
----------	----------	----------	----------

3RD DRAWER



GCAT0701

GAAT1603
GCAT0801

4TH DRAWER



GAAT1202

GCAT2402
GCAT7202

5TH DRAWER



GBAT0501

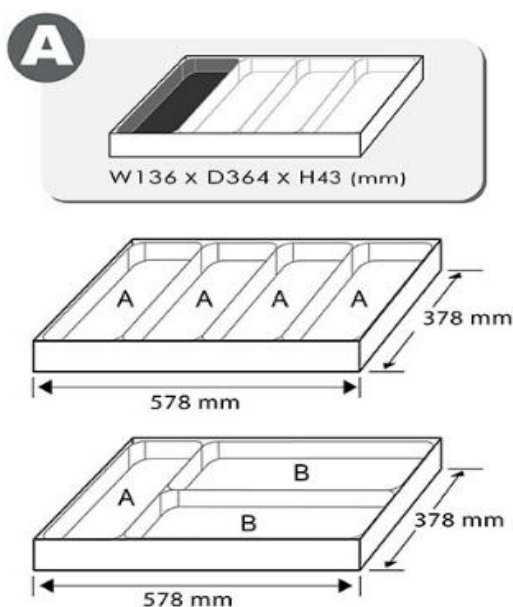
GAAT0811
GCAT1101

Kliknij na wybraną wkładkę i znajdź indywidualne narzędzie.

Indeks: GCAJ0001

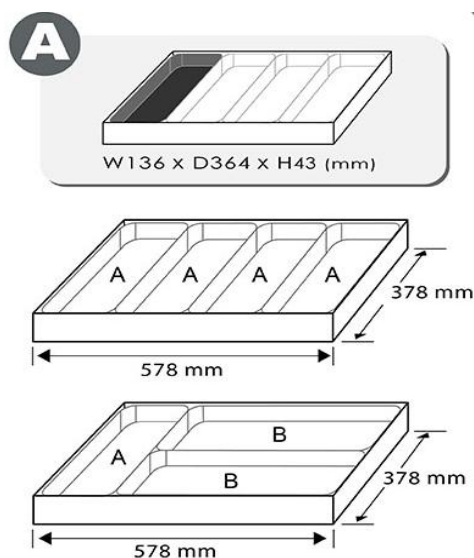


Item no.	Content / Zawartość	Size [mm]	Zam./Order
GAAT0702	7	AEEC0607	6x7
		AEEC0809	8x9
		AEEC1011	10x11
		AEEC1213	12x13
		AEEC1415	14x15
		AEEC1617	16x17
		AEEC1819	18x19



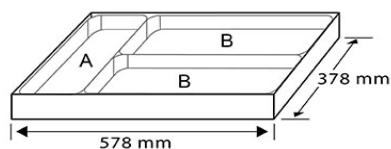
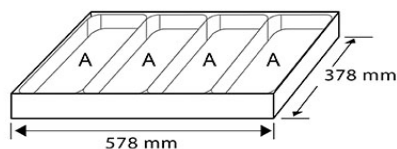
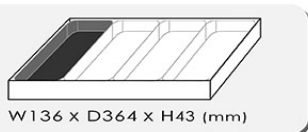


Item no.	Content / Zawiera			Zam./Order
GAAT1802	9	GAAL0910	1.5, 2, 2.5, 3, 4, 5, 6, 8, 10 mm	
	9	AAEJ0607	6x7	mm
		AAEJ0809	8x9	mm
		AAEJ1011	10x11	mm
		AAEJ1213	12x13	mm
		AAEJ1415	14x15	mm
		AAEJ1617	16x17	mm
		AAEJ1819	18x19	mm
		AAEJ2022	20x22	mm
AAEJ2224	22x24	mm		



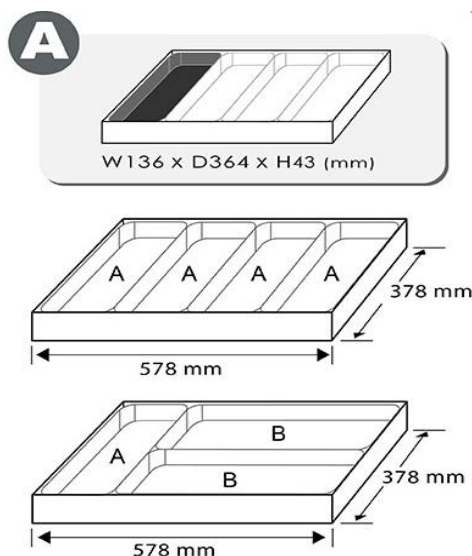


Item no.	Content / Zawiera	Size		Zam./Order	
GAAT1205	12	ABAF0808	8	mm	
		ABAF0909	9	mm	
		ABAF1010	10	mm	
		ABAF1111	11	mm	
		ABAF1212	12	mm	
		ABAF1313	13	mm	
		ABAF1414	14	mm	
		ABAF1515	15	mm	
		ABAF1616	16	mm	
		ABAF1717	17	mm	
		ABAF1818	18	mm	
		ABAF1919	19	mm	


A




Item no.	Content / Zawartość	Size [mm]	Zam./Order
GAAT0802	8	AAEI0607	6x7
		AAEI0809	8x9
		AAEI1011	10x11
		AAEI1213	12x13
		AAEI1415	14x15
		AAEI1617	16x17
		AAEI1819	18x19
		AAEI2022	20x22





Item no.	Content / Zawiera	
GBAT0303	1	DAAQ1A10
	1	DDBA2210
	1	AMAA3325

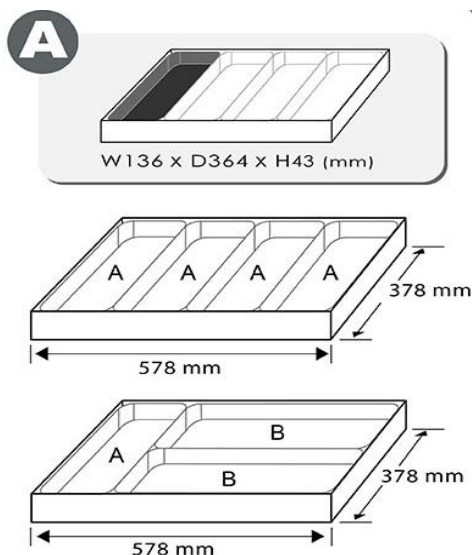
Zam./Order

DDBA2210

DAAQ1A10



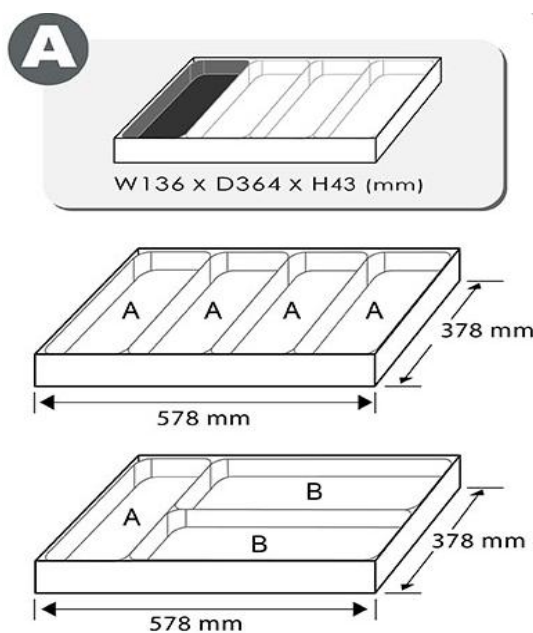
AMAA3325





Item no.	Content / Zawiera	
GBAT0402	1	DBBB2207
	1	DEBC2207
	1	DFBB2208
	1	DFBA2208

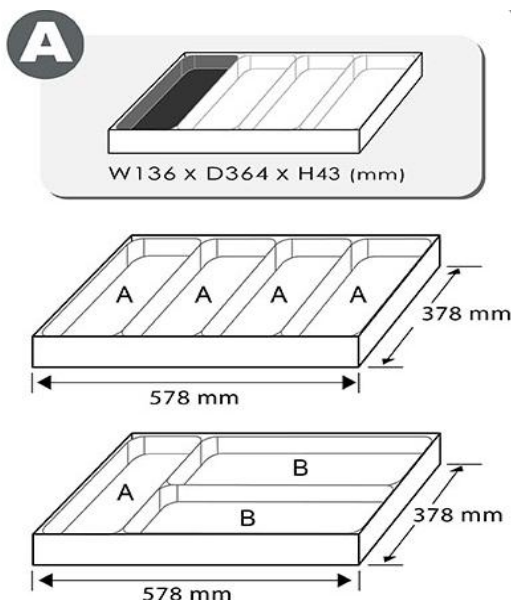
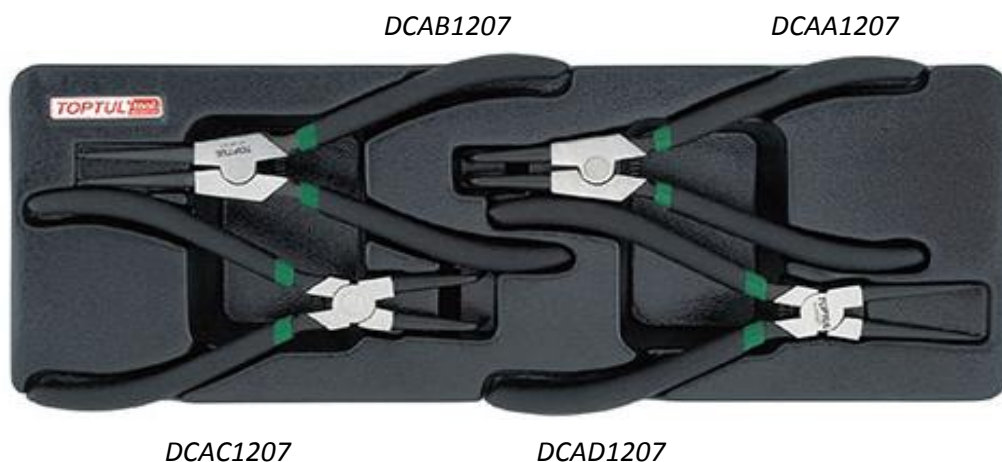
Zam./Order







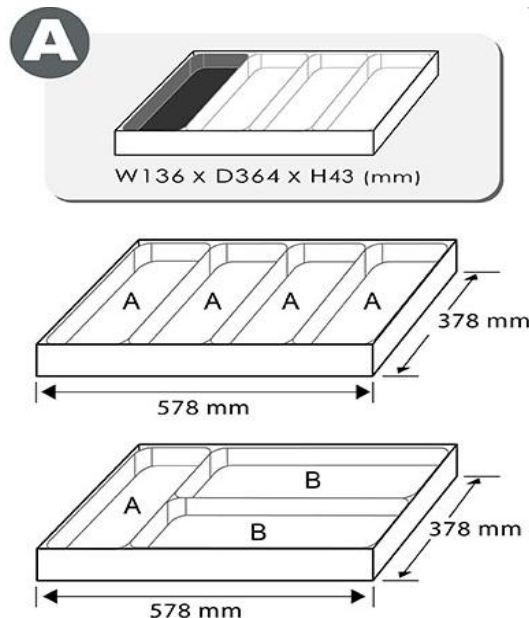
Item no.	Content / Zawiera	
GBAT0401	1	DCAA1207
	1	DCAB1207
	1	DCAC1207
	1	DCAD1207

Zam./Order





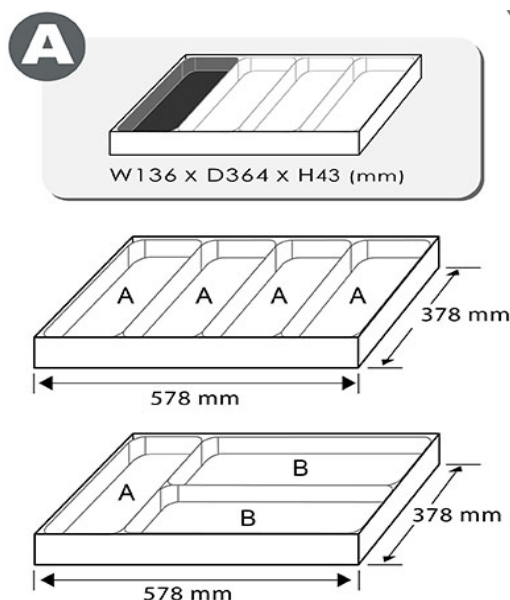
Item no.	Content / Zawiera	Size	L [mm]	Zam./Order	
GAAT0805	3 	FBAB0108	PH1	80	
		FBAB0210	PH2	100	
		FBAB0315	PH3	150	
	1	FBBB0203	PH2	25	
	3 	FAAB0410	4 mm	100	
		FAAB5E10	5.5 mm	100	
		FAAB6E10	6.5 mm	150	
	1	FABB6E03	6.5 mm	25	





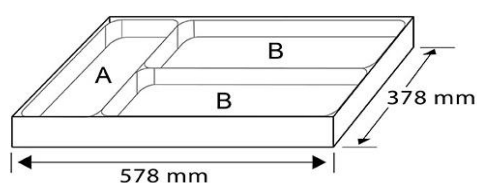
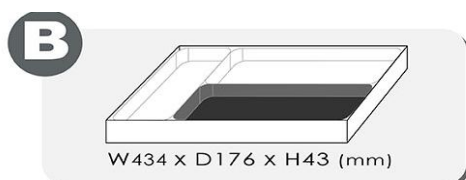
Item no.	Content / Zawiera		
GCAT0701	5	GAAV0501	Pin Punch: 4x10x150 mm Cape Chisel: 5x10x130 mm Cold Chisel: 12x10x130 mm Taper Punch: 3x10x120 mm Center Punch: #2x10x120 mm
	1	HAAA0330	300 g
	1	HAAB1038	16 oz

Zam./Order





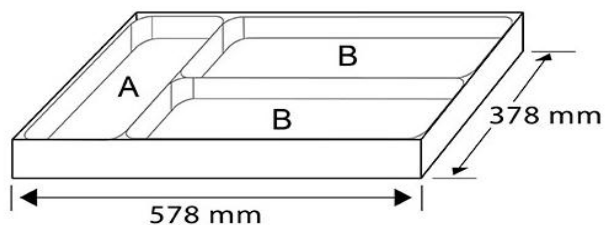
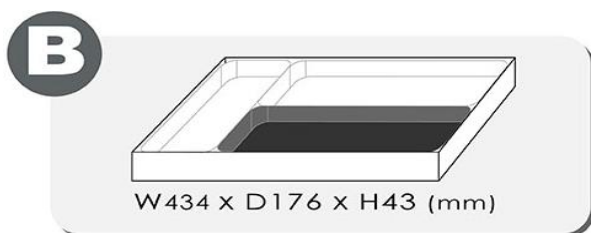
Item no.	Content / Zawiera	Size [mm]	Zam./Order
GAAT1603	16	AAEW0606	6
		AAEW0707	7
		AAEW0808	8
		AAEW0909	9
		AAEW1010	10
		AAEW1111	11
		AAEW1212	12
		AAEW1313	13
		AAEW1414	14
		AAEW1515	15
		AAEW1616	16
		AAEW1717	17
		AAEW1818	18
		AAEW1919	19
		AAEW2222	22
AAEW2424	24		











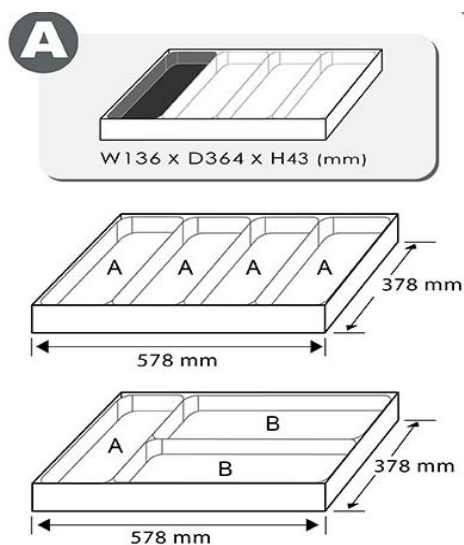
Item no.	Content / Zawiera			
GCAT0801	1	AMAB2920	8"	Wrench
	6	GAAV0601	2x8x115, 3x8x125, 4x10x150, 5x10x165, 6x12x180, 8x12x180 mm	
	1	SAAA3013	12"	Hacksaw

Zam./Order



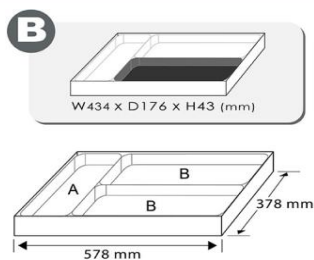


Item no.	Content / Zawiera	Size	L [mm]		Zam./Order	
GAAT1202	1 	BCTA1605	5 mm	180	1/2"	
	2 	BCEA1607	7 mm	100	1/2"	
		BCEA1608	8 mm	100	1/2"	
	2 	BCIA1606	6 mm	140	1/2"	
		BCIA1610	10 mm	140	1/2"	
	4 	BCJA1606	M6	100	1/2"	
		BCJA1608	M8	100	1/2"	
		BCJA1610	M10	100	1/2"	
		BCJA1612	M12	100	1/2"	
	2 	BCKA1640	T40	120	1/2"	
		BCKA1645	T45	120	1/2"	
	1 	BCVA1655	T55	140	1/2"	







Item no.	Content / Zawiera	Size		Zam./Order	
GCAT2402 (6PT)	18	BAEA1608	8	mm	
		BAEA1609	9	mm	
		BAEA1610	10	mm	
		BAEA1611	11	mm	
		BAEA1612	12	mm	
		BAEA1613	13	mm	
		BAEA1614	14	mm	
		BAEA1615	15	mm	
		BAEA1616	16	mm	
		BAEA1617	17	mm	
		BAEA1619	19	mm	
		BAEA1621	21	mm	
		BAEA1622	22	mm	
		BAEA1623	23	mm	
		BAEA1624	24	mm	
		BAEA1627	27	mm	
		BAEA1630	30	mm	
		BAEA1632	32	mm	
	2	CAAA1605	1/2"	5"(L)	
		CAAA1610	1/2"	10"(L)	
	1	CTCK1625	1/2"		
1	CAHA1678	1/2"			
1	CFAC1615	1/2"	15"(L)		
1	CJBM1627	1/2"	W		

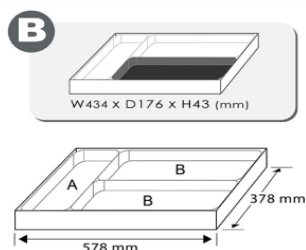




Item no.	Content / Zawiera				Zam./Order	
GCAT7202 (6PT) 1/1	13	BAEA0804	4	mm	1/4"	
		BAEA084E	4.5	mm	1/4"	
		BAEA0805	5	mm	1/4"	
		BAEA08E5	5.5	mm	1/4"	
		BAEA0806	6	mm	1/4"	
		BAEA0807	7	mm	1/4"	
		BAEA0808	8	mm	1/4"	
		BAEA0809	9	mm	1/4"	
		BAEA0810	10	mm	1/4"	
		BAEA0811	11	mm	1/4"	
		BAEA0812	12	mm	1/4"	
		BAEA0813	13	mm	1/4"	
		BAEA0814	14	mm	1/4"	
		13	BAEE0804	4	mm	1/4"
	BAEE084E		4.5	mm	1/4"	
	BAEE0805		5	mm	1/4"	
	BAEE08E5		5.5	mm	1/4"	
	BAEE0806		6	mm	1/4"	
	BAEE0807		7	mm	1/4"	
	BAEE0808		8	mm	1/4"	
	BAEE0809		9	mm	1/4"	
	BAEE0810		10	mm	1/4"	
	BAEE0811		11	mm	1/4"	
	BAEE0812		12	mm	1/4"	
	BAEE0813		13	mm	1/4"	
	BAEE0814		14	mm	1/4"	
	7 		BCDA082E	2.5	mm	1/4"
		BCDA0803	3	mm	1/4"	
		BCDA0804	4	mm	1/4"	
		BCDA0805	5	mm	1/4"	
		BCDA0806	6	mm	1/4"	
		BCDA0807	7	mm	1/4"	
		BCDA0808	8	mm	1/4"	
	6 	BCCA0803	3	mm	1/4"	
		BCCA0804	4	mm	1/4"	
		BCCA084E	4.5	mm	1/4"	
		BCCA085E	5.5	mm	1/4"	
		BCCA086E	6.5	mm	1/4"	
	BCCA0808	8	mm	1/4"		

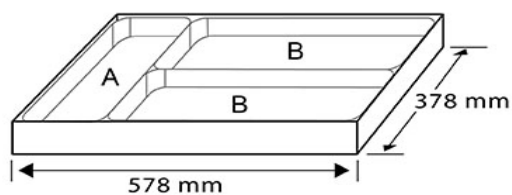
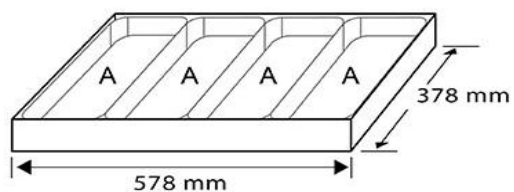
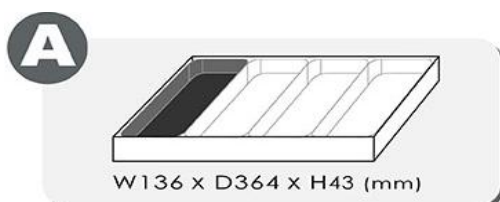


Item no.	Content / Zawiera				Zam./Order		
GCAT7202 (6PT) 1/2	5	+	BCAA08P0	PH0		1/4"	
			BCAA08P1	PH1		1/4"	
			BCAA08P2	PH2		1/4"	
			BCAA08P3	PH3		1/4"	
			BCAA08P4	PH4		1/4"	
	4	+	BCBA08P0	PZ0		1/4"	
			BCBA08P1	PZ1		1/4"	
			BCBA08P2	PZ2		1/4"	
			BCBA08P3	PZ3		1/4"	
	8	○	BCFA0808	T8		1/4"	
			BCFA0810	T10		1/4"	
			BCFA0815	T15		1/4"	
			BCFA0820	T20		1/4"	
			BCFA0825	T25		1/4"	
			BCFA0827	T27		1/4"	
			BCFA0830	T30		1/4"	
			BCFA0840	T40		1/4"	
	1		CJBM0815		72-Tooth	1/4"	
	3		CAAA0802	2"	(L)	1/4"	
			CAAA0804	4"	(L)	1/4"	
			CAAA0806	6"	(L)	1/4"	
	1		CTCK0811		T-handle	1/4"	
	1		CAHA0840		Joint	1/4"	
1		CAIA0815		Handle	1/4"		
9		GAAL0916	1.5, 2, 2.5, 3, 4, 5, 6, 8, 10 mm				

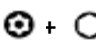




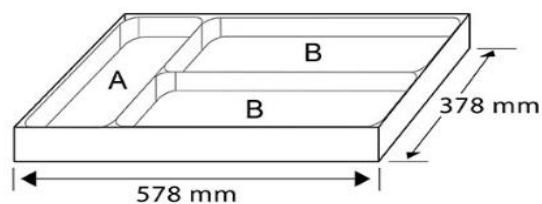
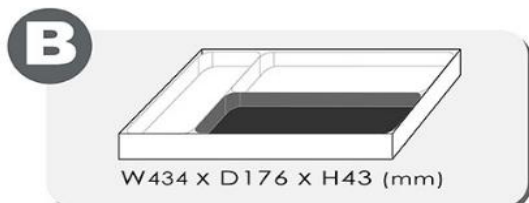
Item no.	Content / Zawiera	L	Zam./Order
GBAT0501	1	SDBB0821	8"
	1	HBAF0130	8"
	1	ICAC0122	8"
	1	ICAB0124	8"
	1	ICAA0020	8"





Item no.	Content / Zawiera		
GAAT0811 	8	AGCD0214	2x140
		AGCD2E14	2.5x140
		AGCD0314	3x140
		AGCD0414	4x140
		AGCD0520	5x203
		AGCD0620	6x203
		AGCD0827	8x265
		AGCD1027	10x265

Zam./Order





Item no.	Content / Zawiera		Zam./Order
GCAT1101	1	SBAA0414	Electrician scissors
	1	HBAF0130	Auto center punch
	1	ICAC0122	SAE
	1	ICAB0124	Metric
	1	ICAA0020	Metric
	1	IAAA0005	5 m
	1	SCAA2017	Knife
	1	IDAA0208	Scriber
	1	IACA0150	Caliper
	1	IBAA0150	Protractor
	1	IABA0300	Ruler 30 cm

